

M411

Applications

Domestic and light commercial sites with a maximum size of 8m². In addition to its security function, the M411 shutter provides insulation and optional light slots can assist as a window shading system. Suitable for internal or external face or reveal fit.

Curtain Slat

Aluminium double skinned polyester powder-coated slat with polyurethane foam insulating core.

Colours: White, Brown, Cream, Grey or Silver as standard. Vented and unvented options available.

Visible Face: 42mm
 Weight per m²: 4kg
 Maximum Width: 3400mm
 Maximum Area: 8m²
 Slat U-Value: 3.7 W/m² K

Enclosure

Roll-formed aluminium enclosure with pressure-moulded aluminium alloy end plates. Circular housing available on request.

Finish: White or Brown as standard. Powder coating available on request.

Guide Height (mm)	Plate Size (mm)
732	138
1050	150
1435	165
1720	180
2295	205
3350	250

Plate sizes shown as a guide only and may vary.

Bottom Slat

Extruded aluminium guide channels and bottom slat with brush and rubber weather seals.

Guide Channels

Extruded aluminium with a width of 25mm, 45mm, 53mm, 66mm or 60HD.

Finish: White or Brown as standard. Powder coating available on request.

Operation

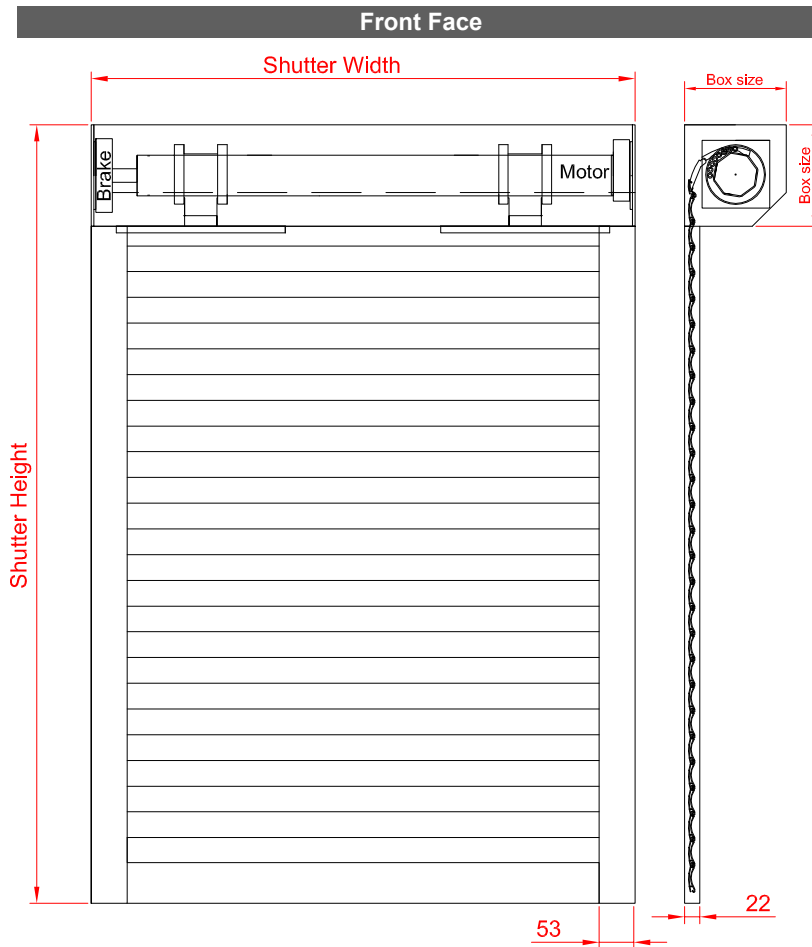
Electric: Tubular motor & internal rocker or external key switch as standard. Safety brake as appropriate to comply with legislation. Manual override facility & crank handle as required (surcharge applies). Numerous control option variants such as group, remote or mobile phone activation.

Manual Cord Belt: A swivel winder coils a belt attached to the rotating shutter barrel; applicable up to a maximum weight of 20kg.

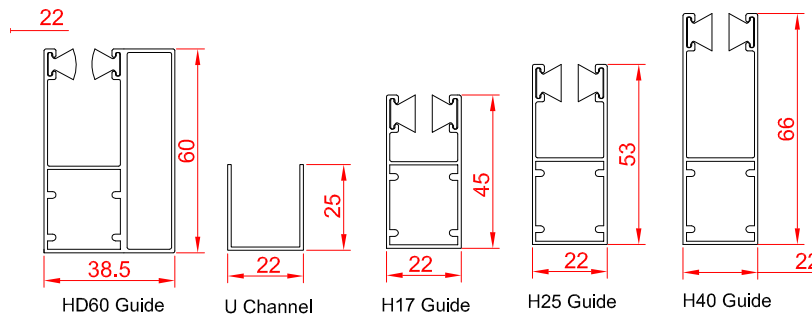
Manual Rod & Crank: Geared rod and crank handle winds the shutter; applicable up to a maximum weight of 25kg.

Manual Spring & Lock: A counter-balanced spring assembly with a key-lock bottom slat & handles; applicable up to a maximum weight of 30kg.

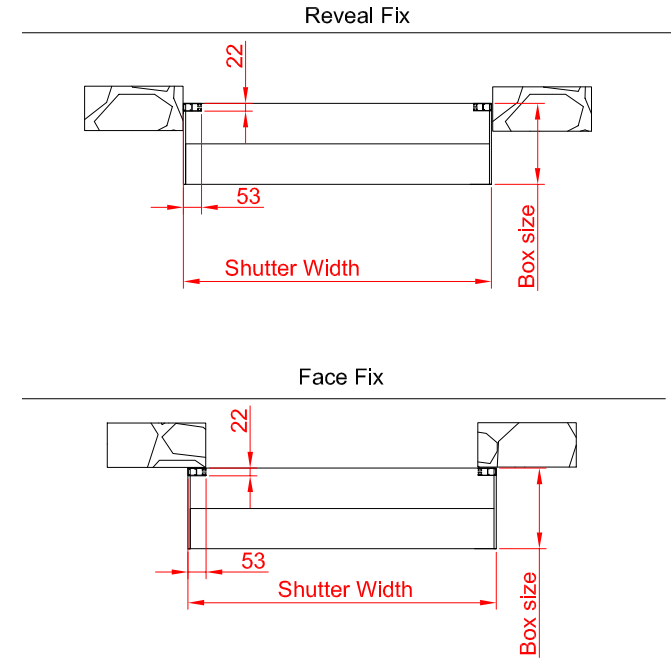
CE compliant to all applicable directives and standards.



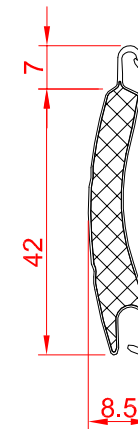
Guide Channels



Fixing Detail



Slat Profile



Unit 12, Artillery Business Park, Garrison Avenue,
 Park Hall, Oswestry, Shropshire SY11 4AD
 Phone: 01691 679257 | www.aluroll.co.uk