

E37

Applications

Domestic and commercial sites, up to 12m². The E37 rolling shutter is a robust and lightweight barrier which is concealed within a compact enclosure when fully open. It is ideal for window openings and pedestrian door entrances, either internally or externally mounted, with a face or reveal fit.

The E37 can be upgraded to insurance approved, Secured by Design status - LPCB LPS1175, SR1. (See Datasheet 10 'E37 Elite Shutter').

Punched (V37) or Perforated (P37) profile slats may be incorporated as required for full or partial vision.

Curtain Slat

Double-skinned extruded aluminium.

Finish: White or Brown as standard. Powder coating available on request.

Visible Face: 37.5mm
 Weight per m²: 7.9kg
 Maximum Width: 4000mm
 Maximum Area: 12m²

Enclosure

Roll-formed aluminium enclosure with pressure-moulded aluminium end plates.

Finish: White or Brown as standard. Powder coating available on request.

Guide Height (mm)	Plate Size (mm)
1050	150
1535	165
1820	180
2795	205
3550	250
4700	300

Plate sizes shown as a guide only and may vary.

Bottom Slat

Extruded aluminium bottom slat fitted with weather strip.

Guide Channels

Extruded aluminium with a width of 25mm, 45mm, 53mm, 60mm HD or 66mm. Self-packing and circular surface guides available on request.

Finish: White or Brown as standard, powder coating available on request.

Operation

Electric: Single phase tubular motor & internal rocker or external key switch as standard. Numerous options such as group or remote control available. Manual override facility as required.

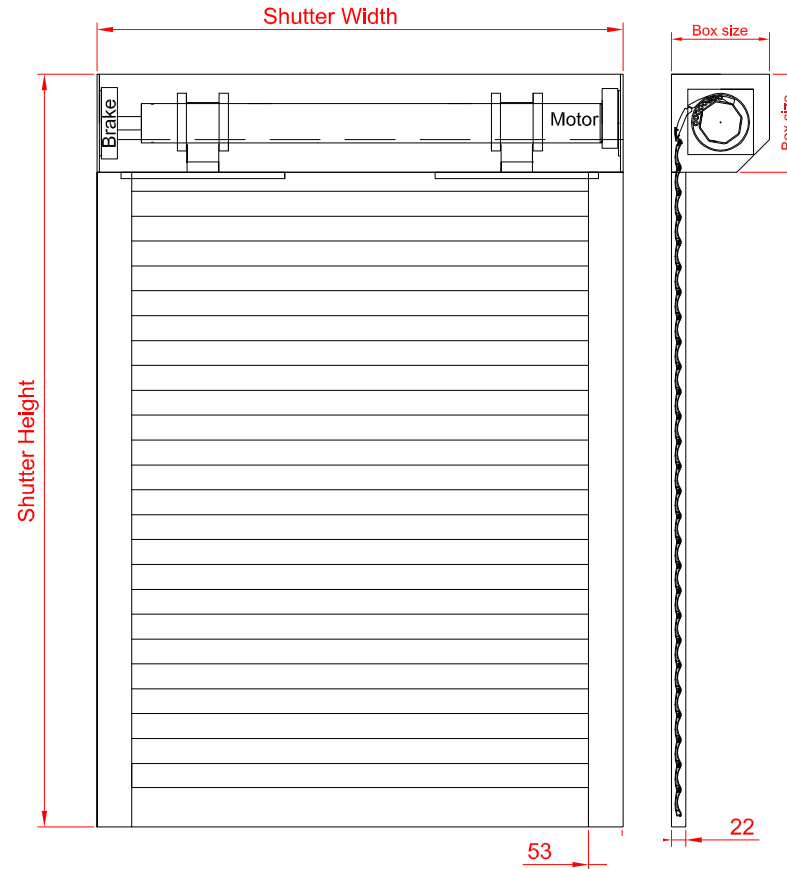
Manual Cord Belt: A swivel winder coils a belt attached to the rotating shutter barrel.

Manual Rod & Crank: Geared rod and crank handle winds the shutter.

Manual Spring & Lock: A counter-balanced spring assembly with a key-lock bottom slat & handles.

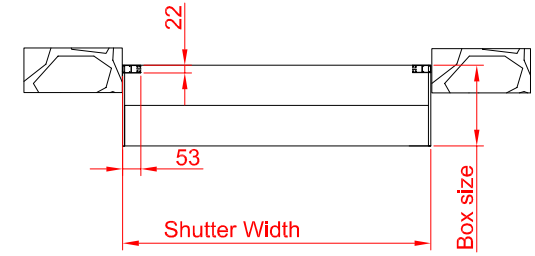
CE compliant to all applicable directives and standards.

Front Face

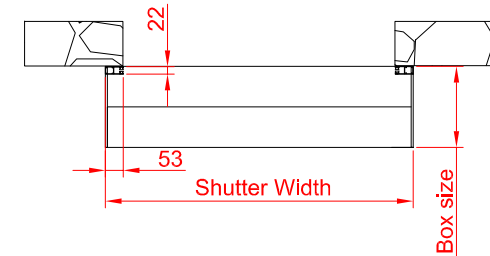


Fixing Detail

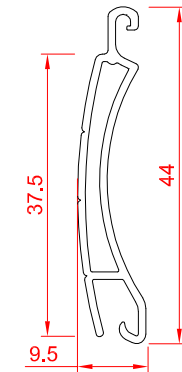
Reveal Fix



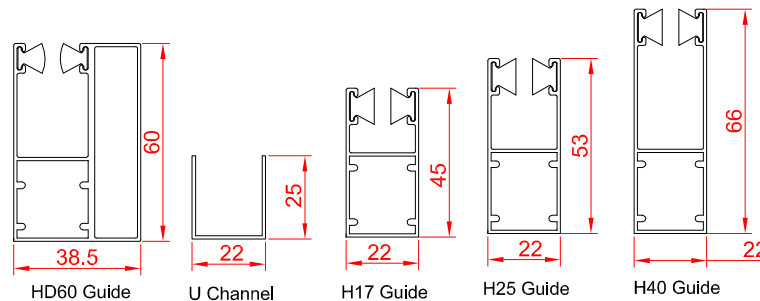
Face Fix



Slat Profile



Guide Channels



Unit 12, Artillery Business Park, Garrison Avenue,
 Park Hall, Oswestry, Shropshire SY11 4AD
 Phone: 01691 679257 | www.aluroll.co.uk