

Tube & Link (Aluminium Housing)

Applications

Medium security commercial sites where see-through vision is a priority. The Tube & Link offers high visibility and can be used internally behind glass for shop displays, or as a standalone security barrier. Suitable for internal or external face or reveal fit.

Grille lattice

Brick formation as standard, utilising 13mm diameter tubes enclosing 8mm steel rods. Vertical lattice links create 56mm high openings (lower or higher available on request), enabling 75% transparency.

Finish: Anodised aluminium, mill or powder coated.

Weight per m²: 9kg
 Maximum Width: 6000mm
 Maximum Area: 20m²

Housing

Roll-formed aluminium with aluminium alloy end plates.

Finish: White or Brown, or powder coated to match powder coated grille.

Also available with steel housing and structure (see Datasheet 19, 'Tube and Link Security Grille (Steel Housing)').

Guide Height (mm)	Plate Size (mm)
1850	250
2700	300
4150	360

Plate sizes shown as a guide only and may vary.

Bottom Slat

Extruded aluminium bottom slat fitted with an EPDM rubber weather seal.

Guide Channels

Extruded aluminium guide sections with a width of 75mm.

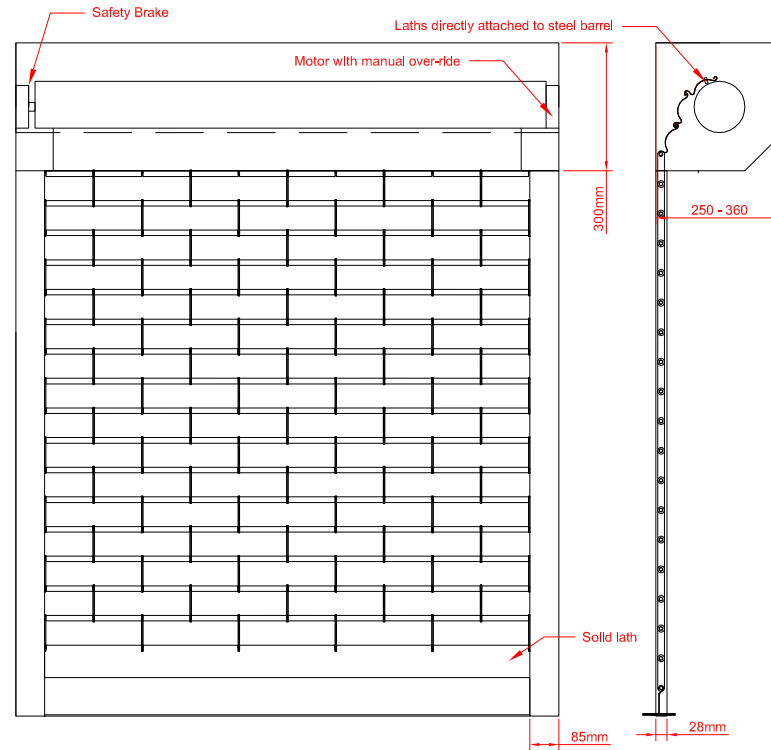
Finish: White or Brown, or powder coated to match powder coated grille.

Operation

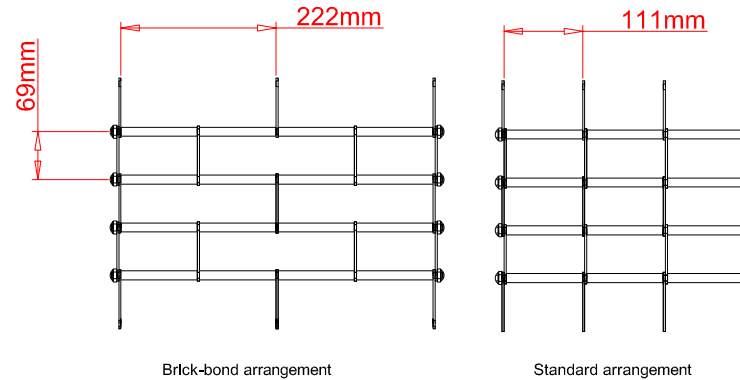
Electric: Single phase tubular motor with push button or external key switch as standard. Manual override facility as required. Numerous control option variants such as group, remote or mobile phone activation.

CE Compliant to all applicable directives and regulations.

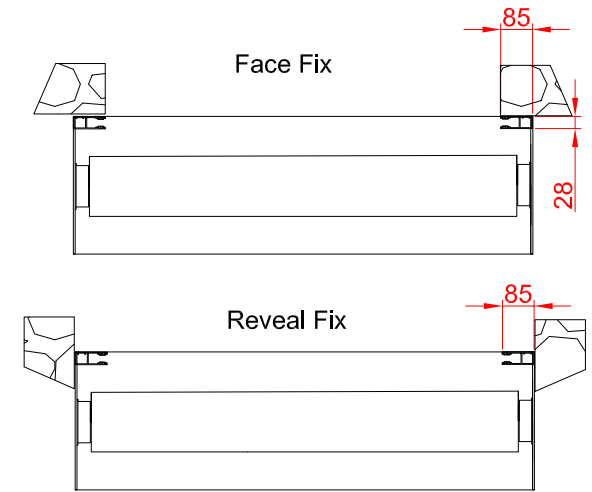
Front Face



Grille Lattice

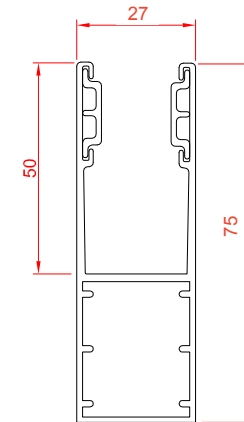


Fixing Detail



Diagrams show single phase operation. Three phase diagrams available on request.

Guide Channel



Unit 12, Artillery Business Park, Garrison Avenue,
 Park Hall, Oswestry, Shropshire SY11 4AD
 Phone: 01691 679257 | www.aluroll.co.uk