

FS60 Fire Shutter

Applications

High security commercial and service sites, up to 50m². Fire Shutter tested at Exova Warringtonfire under BS EN 1634-1:2008 test conditions, and assessed to BS EN 476-22:1987, is designed to contain fire within particular parts of a building for 1 hour. All shutters can be connected to a fire alarm so they automatically descend by operation of the motor. Further failsafe devices for higher levels of response to a fire outbreak or alarm are available.

Curtain Slat

Single skin 76mm curved steel with a thickness 0.7mm, 0.9mm, or 1.2mm, depending on overall opening size.

Finish: Galvanised as standard, powder coating and plastisol finishes available on request.

Visible Face:	76mm
Weight per m ² :	9.8kg (0.7mm thickness) 12.5kg (0.9mm thickness) 16.7kg (1.2mm thickness)
Maximum Width:	9000mm (no barrel support) 12000mm (with barrel support)
Maximum Area:	21m ² (tubular) 30m ² (outboard, no barrel support), 50m ² (outboard, with barrel support)

Housing

Galvanised steel housing and end plates. Larger shutters incorporate barrel support frames where required.

Finish: Galvanised as standard, powder coating available on request.

Guide Height (mm)	Plate Size (mm)
2500	305
4000	355
6000	400

Figures applicable to shutters without barrel support frames only. All plate sizes shown as a guide only and may vary.

Bottom Slat

Galvanised steel 'T' shaped bottom slat.

Guide Channels

Galvanised steel guide channels. Width of 65mm, 75mm or 100mm. Windlocking guides and slat-ends available. Standard galvanised finish. Guide channels are bolted onto angle or box section, depending on the application. See Plan drawings on this sheet.

Finish: Galvanised as standard, powder coating available on request.

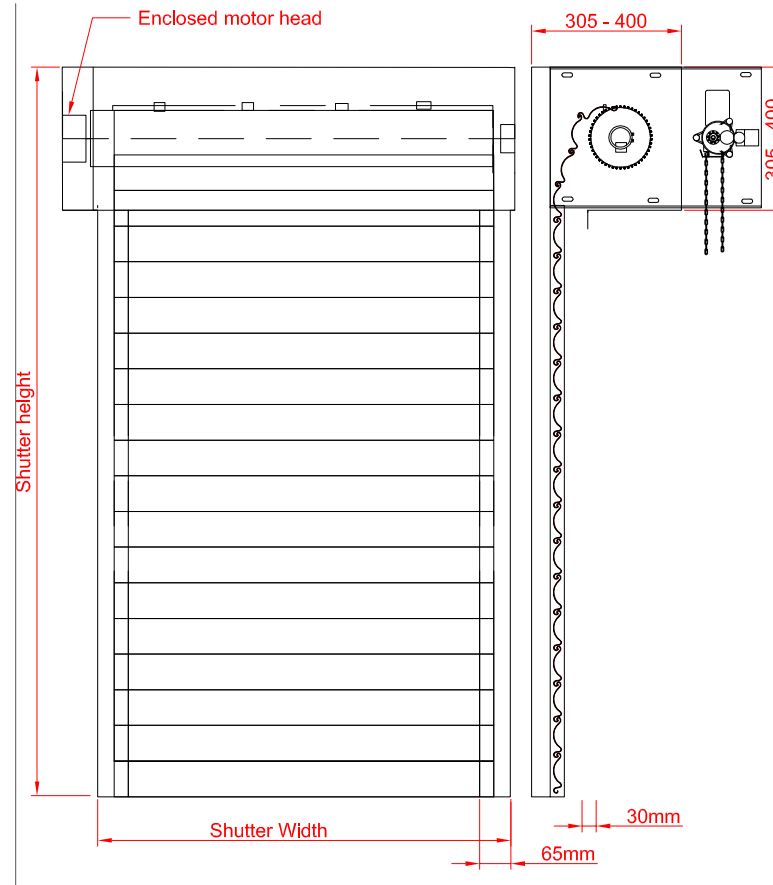
Operation

Electric, Tubular: Single phase tubular motor operated via key switch.

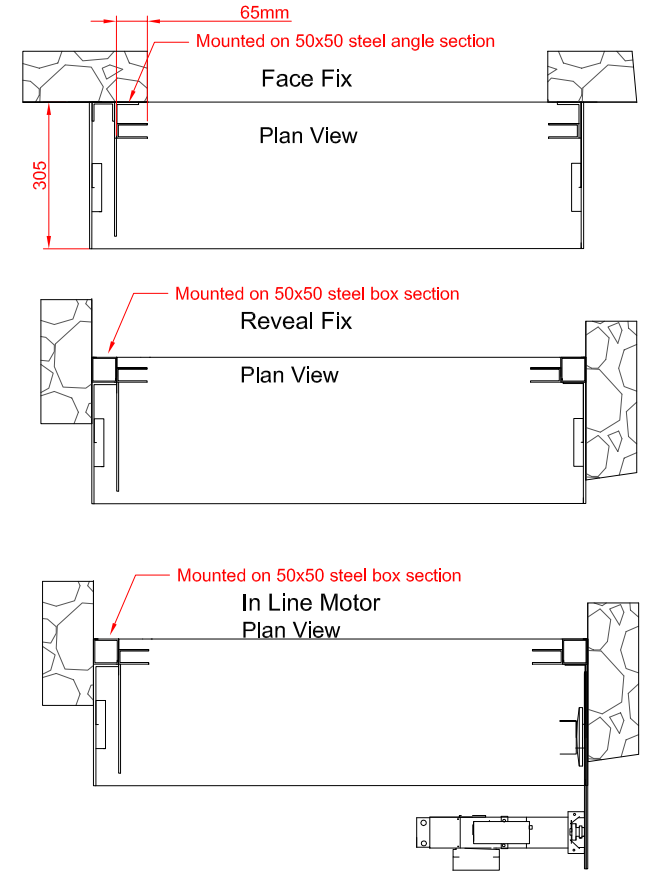
Electric, Outboard: Single or three phase inline chain driven motor with push button control, fusible link and solenoid release as standard.

All shutters can be connected to a fire alarm via an interface panel so they automatically descend in the event of an alarm signal. CE compliant to all applicable directives and regulations.

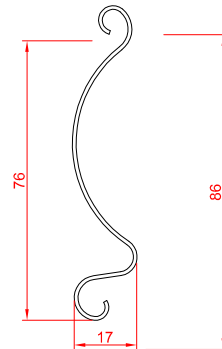
Front Face



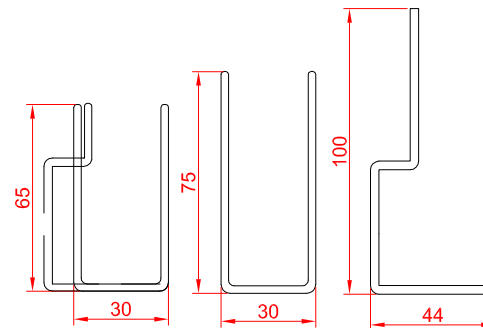
Fixing Detail



Slat Profile



Guide Channels



Unit 12, Artillery Business Park, Garrison Avenue,
Park Hall, Oswestry, Shropshire SY11 4AD
Phone: 01691 679257 | www.aluroll.co.uk