

# E37 Elite



Certificate no: 931  
LPS1175: Issue 7

## Applications

High security domestic and commercial sites. The E37 Elite is insurance approved, and included in the Secured by Design scheme. Tested according to Loss Prevention Certification Board's LPS1175 (6.0) standard, with a Security Rating (SR) of 1, the E37 Elite has been designed for external and internal window apertures and can be fitted to openings with a maximum structural opening width of 3m (9m<sup>2</sup> area overall).

Since the stability of the shutter contributes to the security rating, the shutter must only be fixed to approved substrates. It may be fitted internally or externally to: brick, block, aluminium box section, or steel box section.

## Curtain Slat

Double-skinned extruded aluminium.

Finish: White or Brown as standard. Powder coating available on request.

Visible Face: 37.5mm  
Weight per m<sup>2</sup>: 8.1kg  
Maximum Width: 3000mm  
Maximum Area: 9m<sup>2</sup>

## Enclosure

Roll-formed aluminium enclosure with pressure-moulded aluminium end plates.

Finish: White or Brown as standard. Powder coating available on request.

Guide Height (mm)	Plate Size (mm)
1050	150
1535	165
1820	180
2795	205
3550	250
4700	300

Plate sizes shown as a guide only and may vary.

## Bottom Slat

Extruded aluminium bottom slat fitted with weather strip.

## Guide Channels

60HD extruded aluminium guides. Self-packing and circular surface guides available on request.

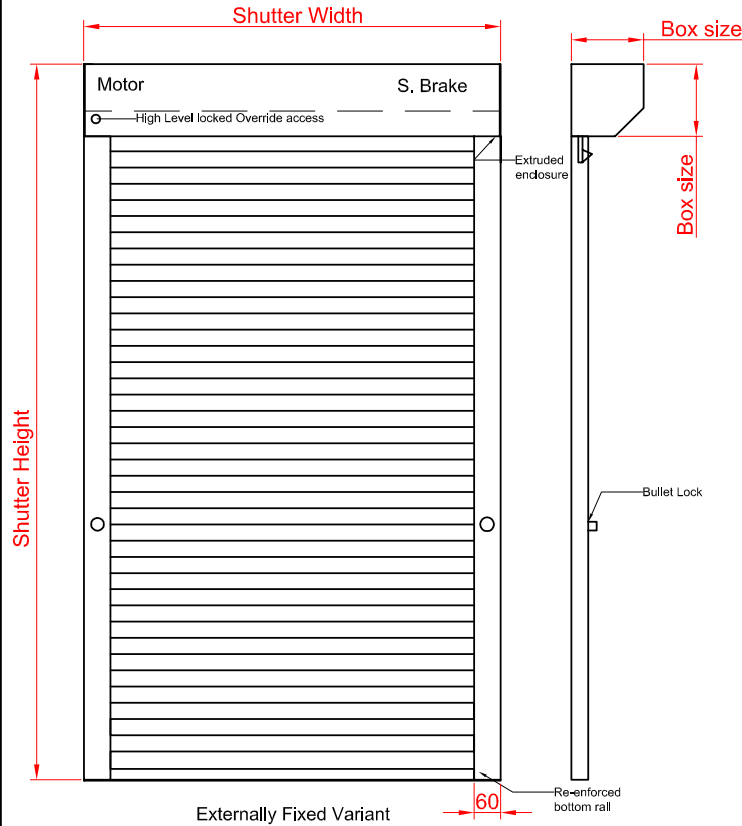
Finish: White or Brown as standard, powder coating available on request.

## Operation

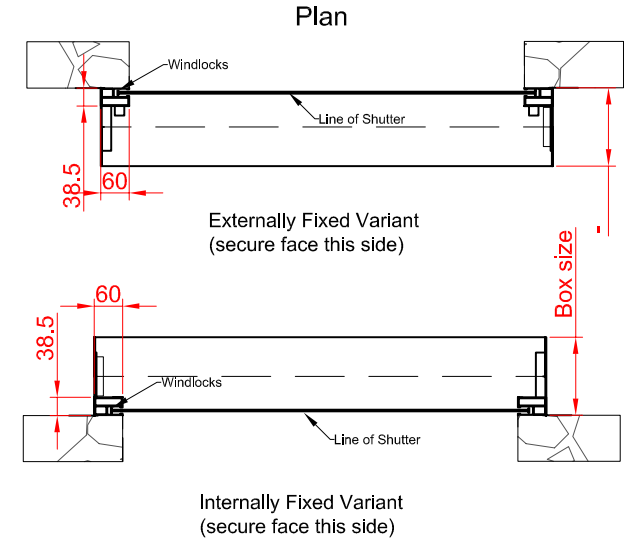
**Electric:** Single phase tubular motor & internal rocker or external key switch as standard. Numerous options such as group or remote control available. Manual override facility as required.

CE compliant to all applicable directives and standards.

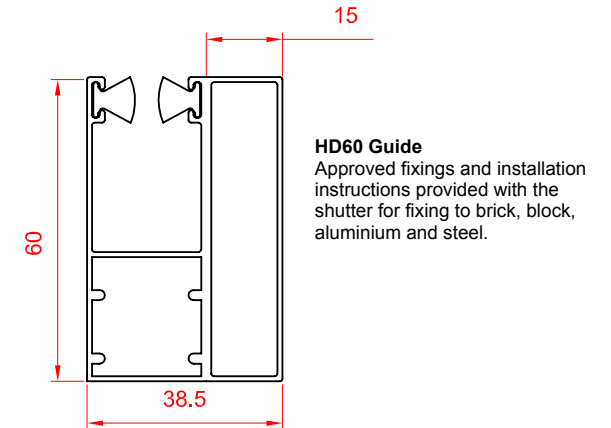
## Front Face



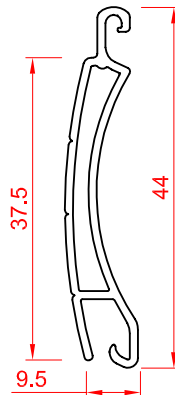
## Fixing Detail



## Guide Channel



## Slat Profile



Unit 12, Artillery Business Park, Garrison Avenue,  
Park Hall, Oswestry, Shropshire SY11 4AD  
Phone: 01691 679257 | www.aluroll.co.uk