

E77 & V77 Elite



Applications

High security commercial sites & shopfront applications, up to 25m².

The E77 & V77 Elite has been tested by the Loss Prevention Certification Board, and awarded Secured by Design status. The shutter is tested to LPS1175 (6.0) standard and is security rated at SR2.

Punched (V77) profile slats can be incorporated as required for full or partial vision. The V77 Elite must have polycarbonate inserts to infill the punched section. The shutter must be fitted via internal face fix.

Curtain Slat

Extruded aluminium (E77) or single skinned (V77) extruded aluminium.

Finish: White or Brown as standard. Powder coating available on request.

Visible Face:	77mm
Weight per m ² :	8.5kg (E77 Elite) 8.8kg (V77 Elite)
Maximum Width:	5000mm
Maximum Area:	25m ²

Enclosure

Roll-formed aluminium enclosure with pressure-moulded aluminium alloy end caps.

Finish: White or Brown as standard. Powder coating available on request.

Guide Height (mm)	Plate Size (mm)
1650	250
2600	300
4640	400

Plate sizes shown as a guide only and may vary.

Bottom Slat

Extruded aluminium bottom slat with weather seal.

Guide Channels

Extruded aluminium with brush infill and width of 150mm. Guide channels must be fitted 30mm from the opening, giving 180mm from opening edge to back of guide.

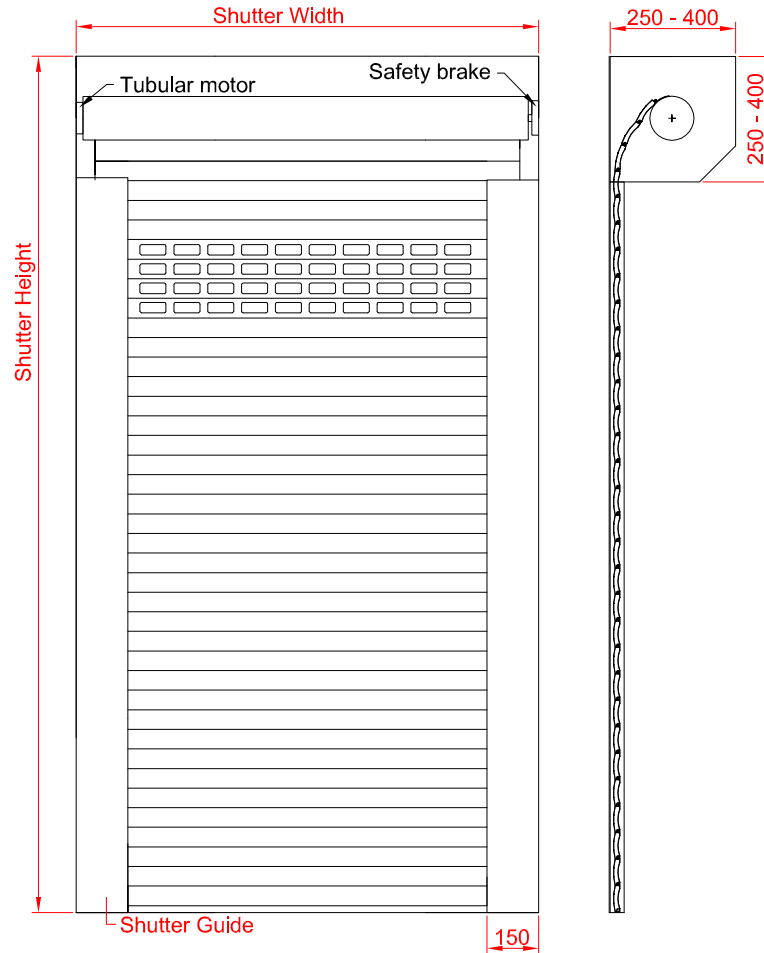
Finish: White or Brown as standard. Powder coating available on request.

Operation

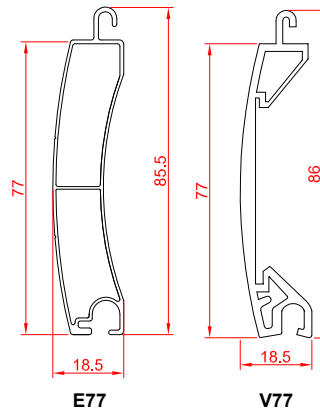
Electric: Single phase tubular motor & internal rocker or external key switch as standard. Numerous options such as group or remote control etc. Manual override facility as required.

CE compliant to all applicable directives and standards.

Front Face



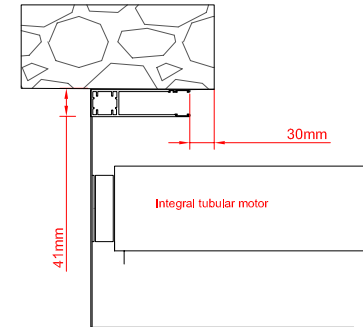
Slat Profile



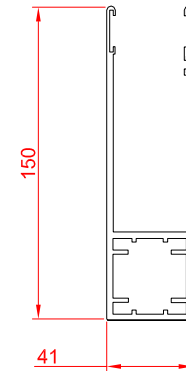
Fixing Detail

Face Fix

The E77 & V77 Elite must be face fixed, either to brick, block, steel section or aluminium box section. Approved fixings and installation instructions are provided with the shutter.



Guide Channel



RTF 150 Guide



Unit 12, Artillery Business Park, Garrison Avenue,
Park Hall, Oswestry, Shropshire SY11 4AD
Phone: 01691 679257 | www.aluroll.co.uk