

# Tube & Link (Steel Housing)

## Applications

Medium security commercial sites where see-through vision is a priority. The Tube & Link offers high visibility and can be used internally behind glass for shop displays, or as a standalone security barrier. Suitable for internal or external face or reveal fit.

## Grille lattice

Brick formation as standard, utilising 13mm diameter tubes enclosing 8mm steel rods. Vertical lattice links create 56mm high openings (lower or higher available on request), enabling 75% transparency.

Finish: Anodised aluminium, mill finish or powder coated.

Weight per m <sup>2</sup> :	9kg
Maximum Width:	8000mm
Maximum Area:	20m <sup>2</sup> (tubular motor)
	40m <sup>2</sup> (outboard motor)

## Housing

Finish: Galvanised, or powder coated to match powder coated grille.

Guide Height (mm)	Plate Size (mm)	Motor
2695	305	Tubular
4145	355	Tubular
5200	400	Tubular
5200	400	Outboard
6000	450	Outboard

Plate sizes shown as a guide only and may vary.

## Bottom Slat

Galvanised steel section bottom rail: either 'L' or 'T' shape. Bottom rail EPDM weather seal available.

## Guide Channels

Guide channel width will vary dependent on application, either 50mm, 65mm, 75mm or 100mm. Windlocking guides and slat-ends available.

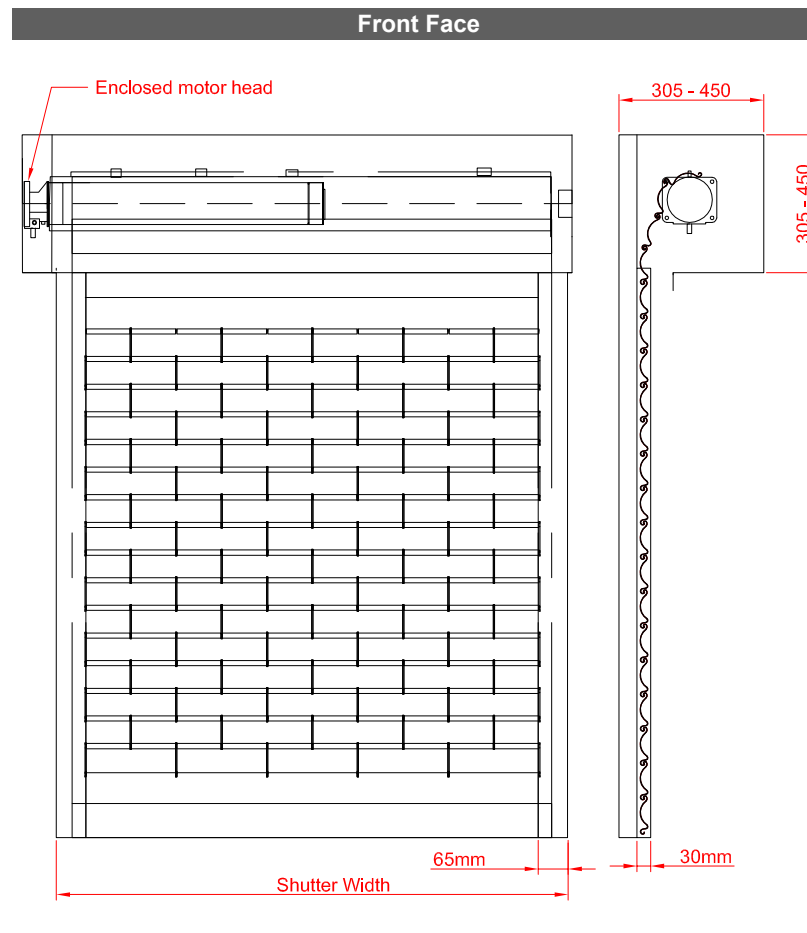
Finish: Galvanised, or powder coated to match powder coated grille.

Guide channels are bolted onto angle or box section, depending on the application.

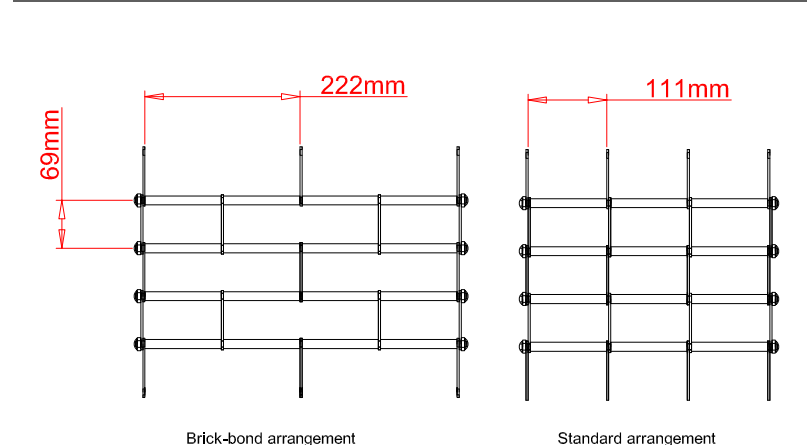
## Operation

**Electric:** Single-phase tubular motor with push button or external key switch as standard, or outboard motor with push button control. Safety brake as appropriate to comply with legislation. Numerous options such as group, remote control or mobile phone operation.

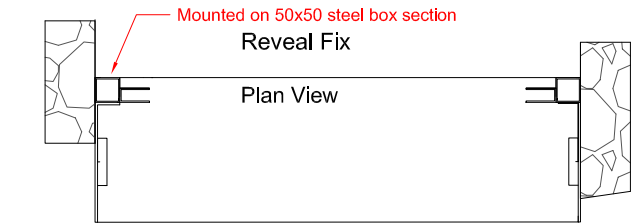
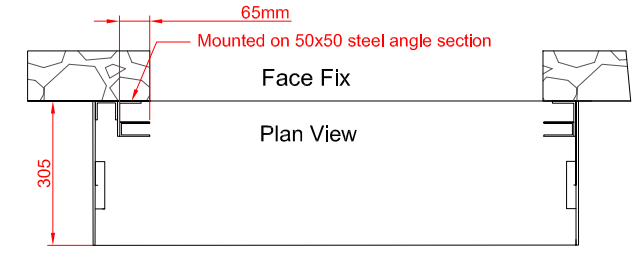
CE Compliant to all applicable directives and regulations.



## Grille Lattice

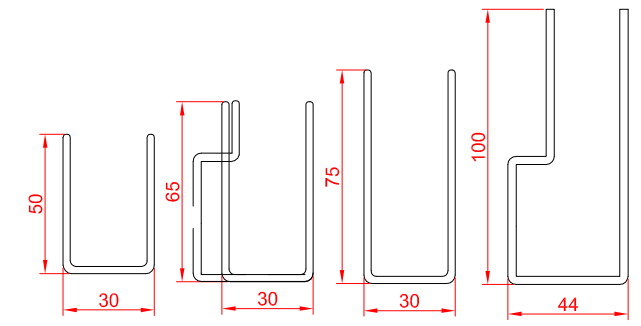


## Fixing Detail



Diagrams show single phase operation. Three phase diagrams available on request.

## Guide Channels



Unit 12, Artillery Business Park, Garrison Avenue,  
Park Hall, Oswestry, Shropshire SY11 4AD  
Phone: 01691 679257 | www.aluroll.co.uk