

S76 Tubular Motor

Applications

Commercial sites requiring medium to high security, for openings up to 29m². See S76 Outboard motor (Datasheet 21) for larger sizes.

Punched (V76) & Perforated (P76) slats can be incorporated as required for full or partial vision.

Curtain Slat

Single skin 76mm (3") curved steel, with a wall thickness of 0.7mm, 0.9mm or 1.2mm (dependent on overall shutter opening width).

Finish: Galvanised finish as standard. Plastisol and powder coating available on request.

Visible Face: 76mm
 Weight per m²: 9.8kg (0.7mm thickness)
 12.5kg (0.9mm thickness)
 16.7kg (1.2mm thickness)

Maximum Width: 7000mm
 Maximum Area: 29m²

Housing

Enclosure and end plates manufactured from galvanised steel sheet.

Finish: Galvanised as standard. Powder coating available on request.

Guide Height (mm)	Plate Size (mm)
2695	305
4000	355
4500	400

Plate sizes shown as a guide only and may vary.

Bottom Slat

Galvanised steel section bottom rail: either 'L' or 'T' shape. Bottom rail EPDM weather seal available.

Guide Channels

Galvanised steel with brush weather seals. Width of 50mm, 65mm, 75mm or 100mm dependent on application. Windlocking guides and slat ends available.

Finish: Galvanised as standard, powder coating available on request.

Guide channels are bolted onto angle or box section, depending on the application.

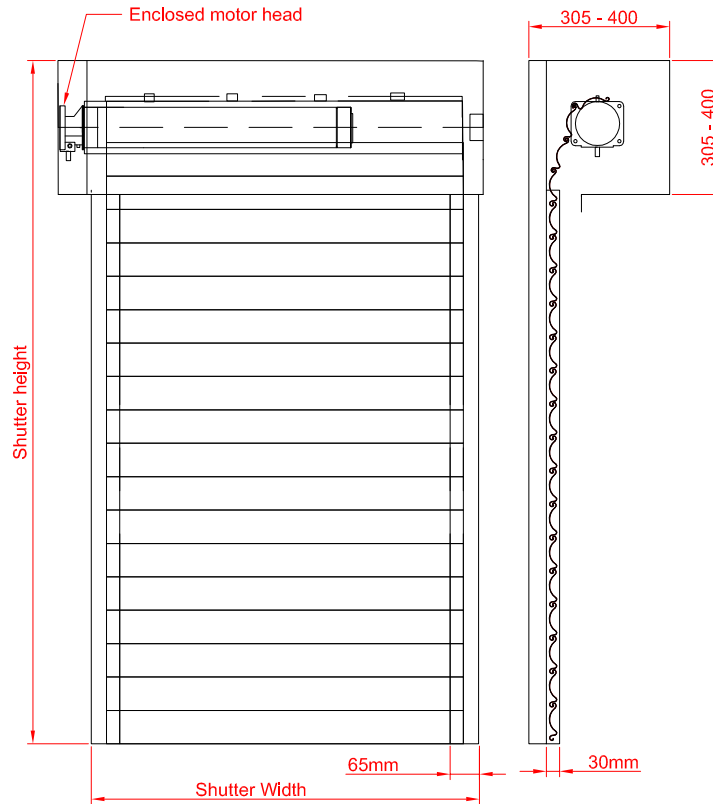
Operation

Electric: Single-phase tubular motor with internal rocker or external key switch. Numerous options such as group, timed closure, remote control and mobile phone activation available on request. Manual override facility available as required.

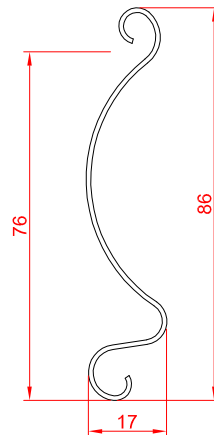
Outboard motor and manual operation also available for the S76 - see appropriate datasheets.

CE Compliant to all applicable directives and regulations.

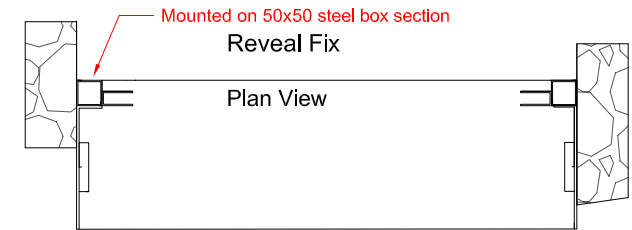
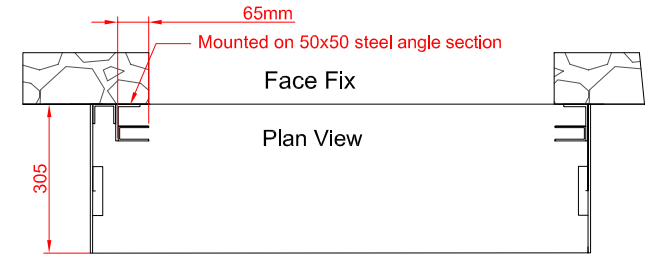
Front Face



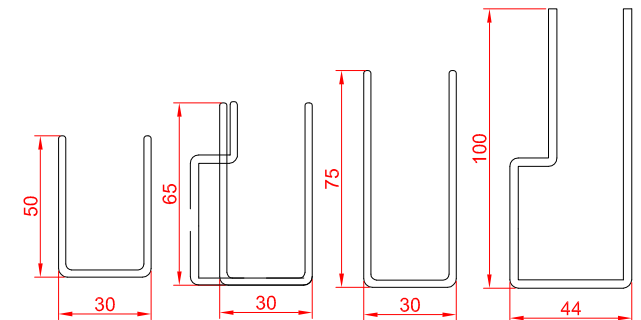
Slat Profile



Fixing Detail



Guide Channels



Unit 12, Artillery Business Park, Garrison Avenue,
 Park Hall, Oswestry, Shropshire SY11 4AD
 Phone: 01691 679257 | www.aluroll.co.uk