

S76A Aluminium Housing

Applications

Traditional steel 3" galvanised single skin slat within a lightweight and secure aluminium housing and guide channel structure. Tubular motor operation. Suitable for high security commercial and industrial sites, with openings up to 18m². Punched (V76) and perforated (P76) slats can be incorporated as required for full or partial vision.

Curtain Slat

Single skin 76mm (3") curved steel with a wall thickness of 0.7mm, 0.9mm or 1.2mm.

Finish: Galvanised as standard. Powder coating and plastisol finishes available on request.

Visible Face:	76mm
Weight per m ² :	9.8kg (0.7mm thickness) 12.5kg (0.9mm thickness) 16.7kg (1.2mm thickness)
Maximum Width:	6000mm
Maximum Area:	18m ²

Housing

Manufactured from roll-formed aluminium with press-moulded aluminium end plates.

Finish: Galvanised as standard. Powder coating available on request.

Guide Height (mm)	Plate Size (mm)
2700	300
4000	360

Plate sizes shown as a guide only and may vary. The above plate sizes are based on standard tube motor operation, and standard roll method. Reverse roll shutters will require a larger plate size.

Bottom Slat

Extruded aluminium with weather seal.

Guide Channels

Extruded aluminium guide channels with a width of 70mm, 90mm or 150mm (dependent on wall thickness). Packing options available if required.

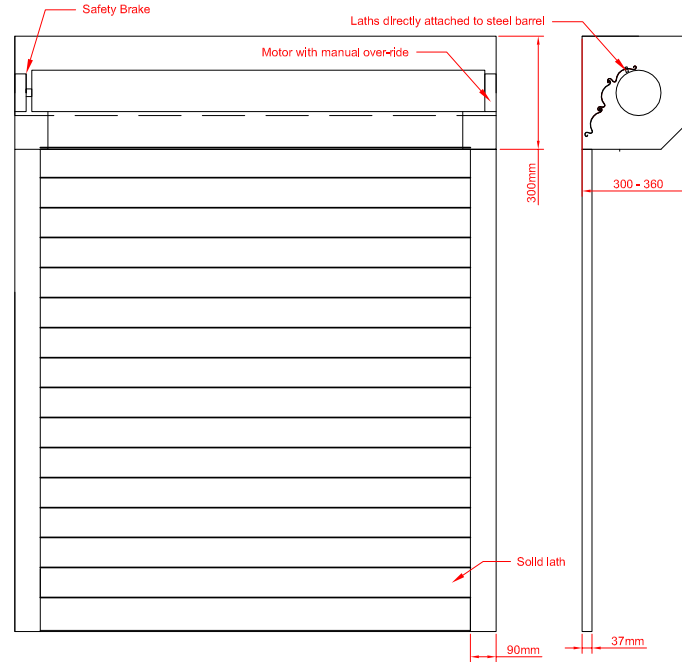
Finish: Galvanised as standard. Powder coating available on request.

Operation

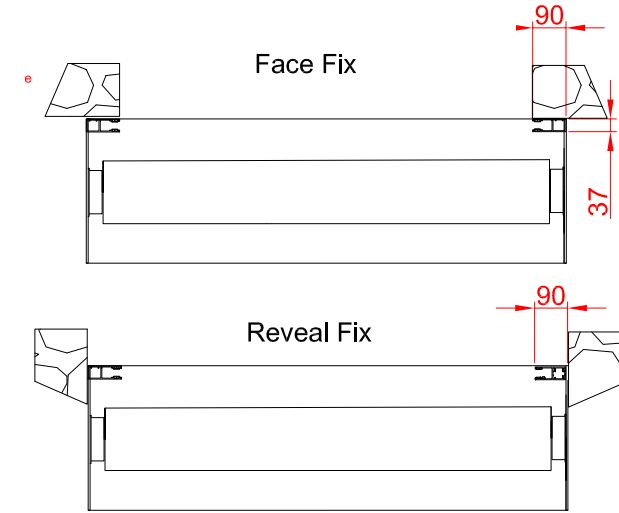
Electric: Tubular motor with internal rocker or external key switch control. Safety brake as appropriate to comply with legislation. Manual override facility and crank handle as required. Numerous control options variants such as group, remote control and mobile phone activation, available on request.

CE Compliant to all applicable directives and regulations.

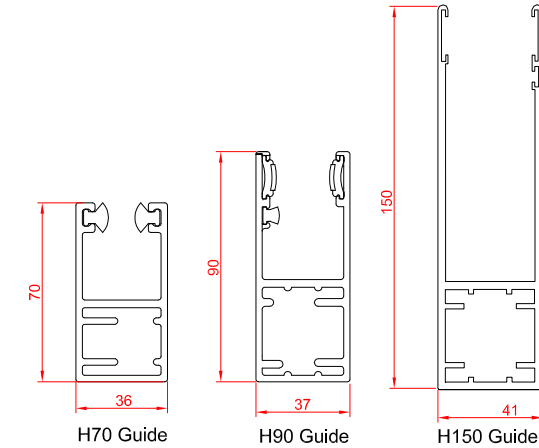
Front Face



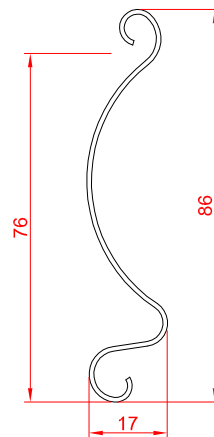
Fixing Detail



Guide Channels



Slat Profile



Unit 12, Artillery Business Park, Garrison Avenue,
Park Hall, Oswestry, Shropshire SY11 4AD
Phone: 01691 679257 | www.aluroll.co.uk