

S76 Spring & Lock

Applications

Standard S76 shutter with sprung barrel for easy manual opening and closing. High security commercial sites, up to 9m².

Punched (V76) & Perforated (P76) slats can be incorporated as required for full or partial vision.

Curtain Slat

Single skin 76mm (3") curved steel with a wall thickness of 0.7mm, 0.9mm or 1.2mm.

Finish: Galvanised as standard. Powder coating and plastisol finishes available on request.

Visible Face:	76mm
Weight per m ² :	9.8kg (0.7mm thickness) 12.5kg (0.9mm thickness) 16.7kg (1.2mm thickness)
Maximum Width:	3000mm
Maximum Area:	9m ²

Housing

Galvanised steel housing and end plates.

Finish: Galvanised as standard. Powder coating available on request.

Guide Height (mm)	Plate Size (mm)
2695	305
3000	355

Plate sizes shown as a guide only and may vary.

Bottom Slat

Galvanised steel with weather seal.

Guide Channels

Galvanised steel guide channels with brush weather seals. Width will vary dependent on application, either 50mm, 65mm, 75mm or 100mm. Windlocking guides available. Guide channels are bolted onto angle or box section, depending on the application. See plan drawings opposite.

Finish: Galvanised as standard. Powder coating available on request.

Operation

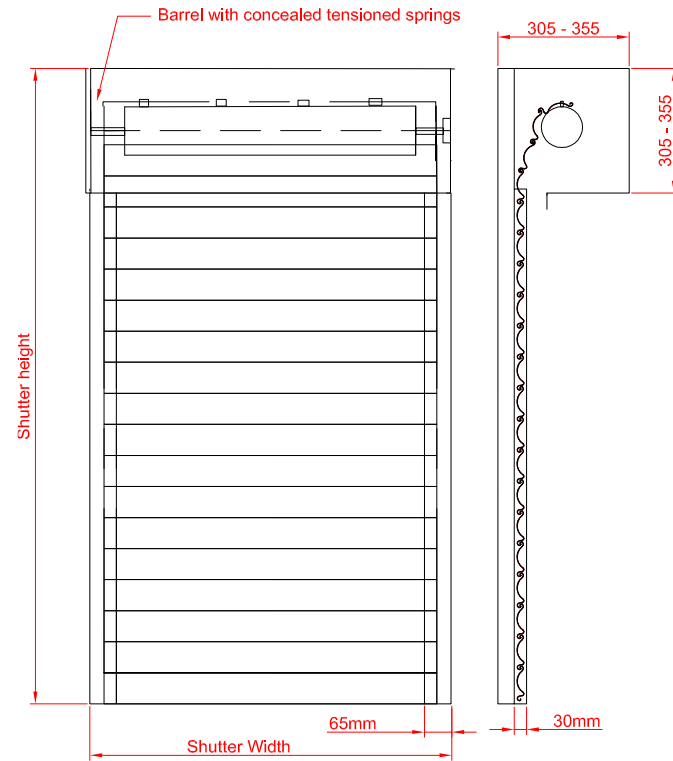
Manual: Operation by manually grasping handle on bottom slat. Shutter curtain rises under tension to fully open position and remains there; close by pulling the curtain down against the spring tension.

Locking by bottom slat transverse shoot bolts; in addition, bullet locks and housings may be welded onto face of guide channels and inserted into the curtain leaf, thereby further deterring attempts to lift the curtain up while in locked condition.

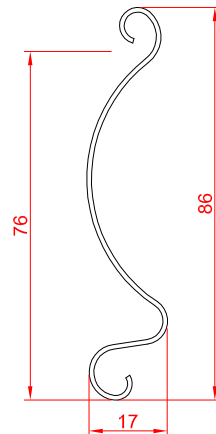
Note: Manual operation is advised for small pedestrian type doorways and window shutters only. Tubular and outboard electric operation available - see appropriate datasheets.

CE Compliant to all applicable directives and regulations.

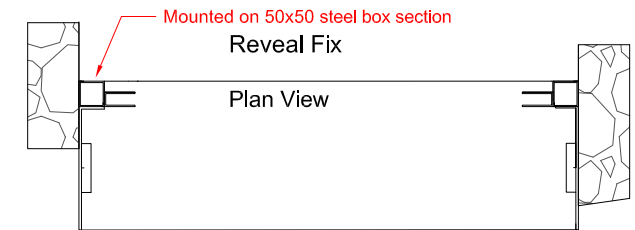
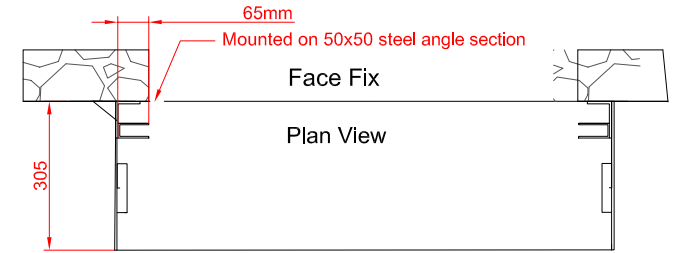
Front Face



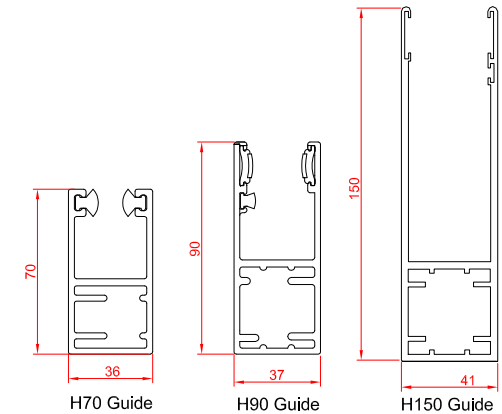
Slat Profile



Fixing Detail



Guide Channels



Unit 12, Artillery Business Park, Garrison Avenue,
Park Hall, Oswestry, Shropshire SY11 4AD
Phone: 01691 679257 | www.aluroll.co.uk