

i100

Applications

Industrial, public and commercial sites requiring large aperture coverage and improved insulation properties from the shutter.

Curtain Slat

Double skinned polyester powder coated 100mm slat with polystyrene foam insulating core.

Finish: Galvanised as standard, powder coating and plastisol finishes available on request.

Visible Face:	81mm
Weight per m ² :	21kg
Maximum Width:	8000mm (tubular) 12000mm (outboard)
Maximum Area:	18m ² (tubular) 100m ² (outboard)
Slat U-Value:	1.5W/m ² K

Housing

Manufactured from galvanised steel sheet with steel end plates.

Finish: Galvanised as standard, powder available on request.

Guide Height (mm)	Plate Size (mm)	Motor
2500	355	Tubular
3500	400	Tubular / Outboard
4500	450	Tubular / Outboard
5500	500	Outboard
6000	550	Outboard

Plate sizes shown as a guide only and may vary. Note that outboard motors are generally larger than the plate itself.

Bottom Slat

Galvanised steel bottom slat with weather seal.

Guide Channels

Steel wind guides with brush seals. Width of 85mm as standard. The guide channels are bolted to fixing angles or box section to suit the application.

Finish: Galvanised as standard, powder available on request.

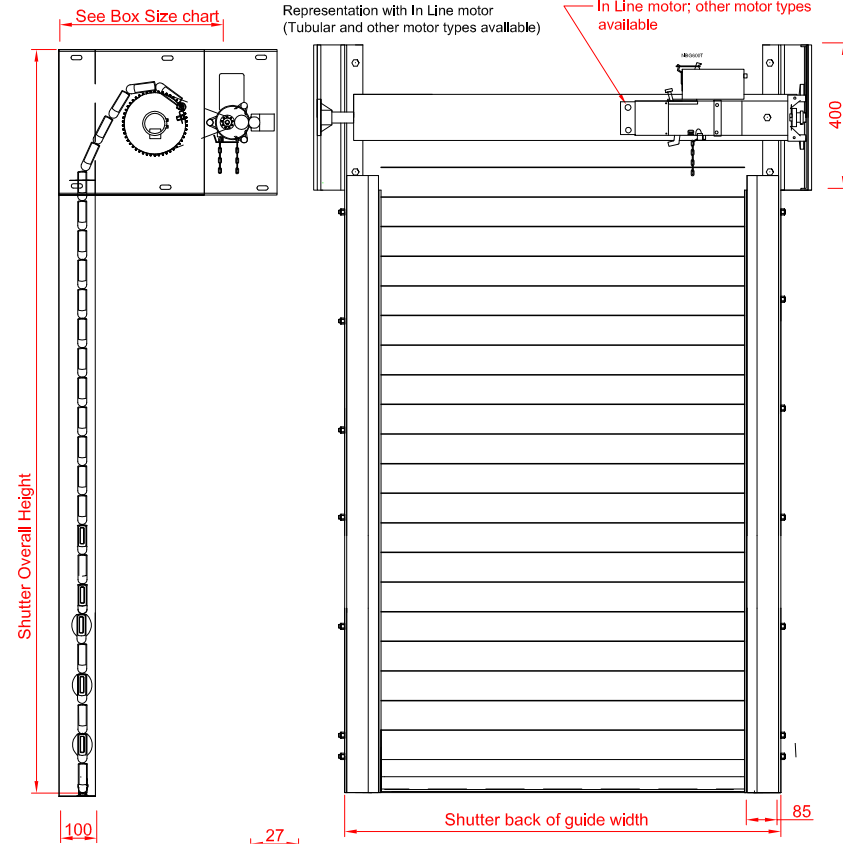
Operation

Electric, Tubular: Tubular motor & internal rocker or external key switch as standard. Safety brake as appropriate to comply with legislation. Manual override facility & crank handle as required. Numerous control option variants such as group or mobile phone activation.

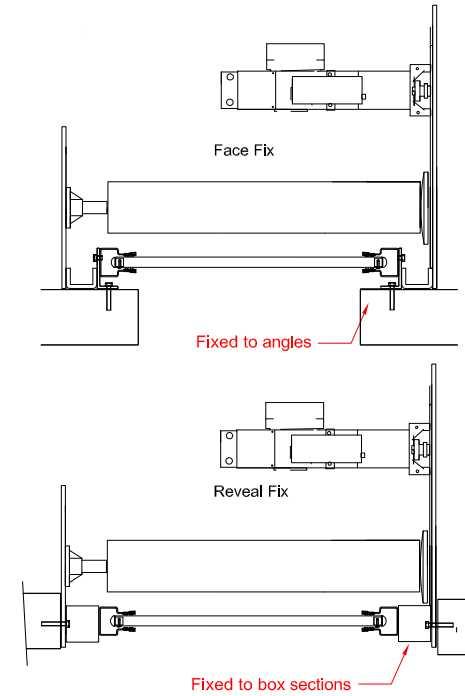
Electric, Outboard: Three phase motor with push button control station as standard. Motors can be direct drive, chain drive or inline design. Final configuration will be project specific but all motors incorporate a chain manual override facility. Numerous control option variants such as timed closure, group or mobile phone activation.

CE compliant to all applicable directives and regulations.

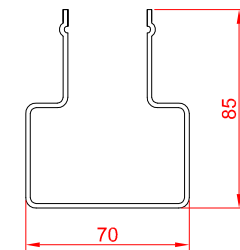
Front Face



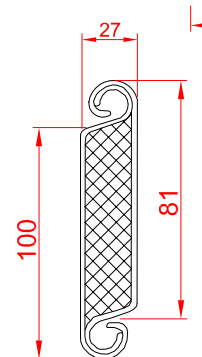
Fixing Detail



Guide Channel



Slat Profile



Unit 12, Artillery Business Park, Garrison Avenue,
Park Hall, Oswestry, Shropshire SY11 4AD
Phone: 01691 679257 | www.aluroll.co.uk